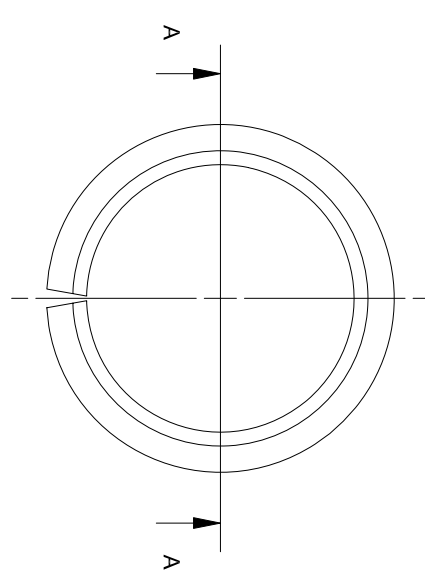
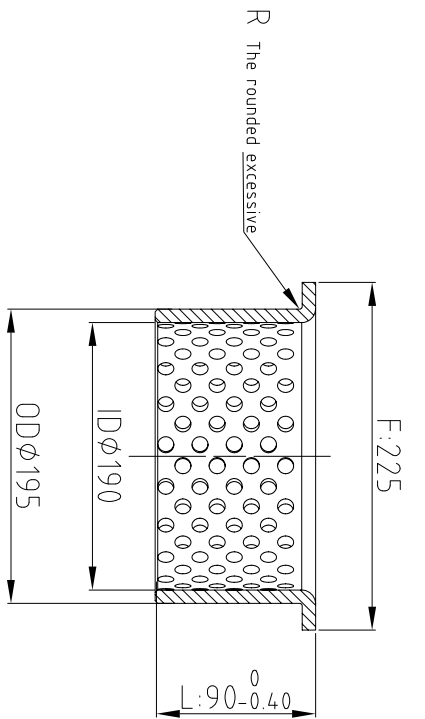
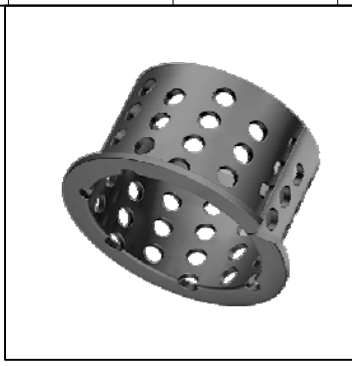


customer		/	size	ID190 OD195 L90 F225	Self-lubricating Bearing			<i>vipplus</i>		vipplus international	
parts		Bronze Bearing	Part no.	D20205103	Client			The material		Cu Sn8	
Part number					version			1		The drawing version	
										the front page	



Units: mm

Material: Cu Sn8

- Cu - 91,3%
- Sn - 8,5%
- P - 0,2%
- Shaft dia: e7 / f7
- Housing: H7

The technical requirements

1. There is no burr on the surface of the product
2. there is no bump on the surface of the product, and the surface is flat
3. The materials shall be inspected by incoming materials, and the first part of each batch shall pass the quality assurance inspection before production
4. Check the size and other parameters for a certain number of parts

Design	David	Date	2020/5/10
Audit	Tiffany	Date	2020/5/11
Approval	Erik	Date	2020/5/12